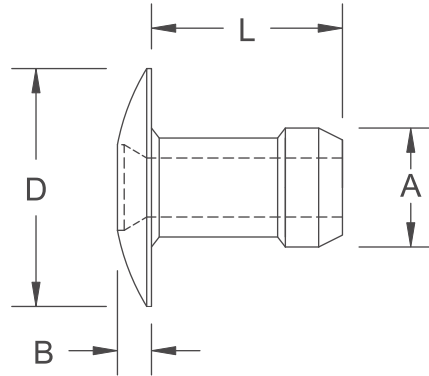


DOME HEAD

BULB TYPE

SECTION 5

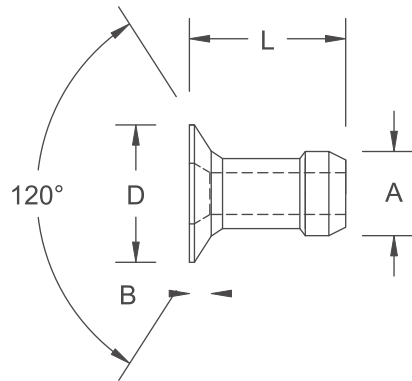
Extensively used in sheet metal fabrication, Bulb Type offers a high clamp up to steel, brass, aluminum and plastic substrates. Offered in Dome or Countersunk Head Styles; Steel, Aluminum, Brass and Stainless Steel Materials with zinc clear, zinc black and black anodized finishes.



Inch Standard

"A"	Part Number	Grip Range	Length	"D"	"B"	Hole Size	Pcs Per Pod
1/8"	[]DZ-0404						58
	[]DZ-0406						48
	[]DZ-0408			.257	.125	.1315	42
	[]DZ-0410			.233	.120	.1285	37
	[]DZ-0412						33
	[]DZ-0414						30
5/32"	[]DZ-0505						52
	[]DZ-0507						44
	[]DZ-0509			.322	.154	.1592	38
	[]DZ-0511			.298	.150	.1562	34
	[]DZ-0513						30
3/16"	[]DZ-0607						42
	[]DZ-0609						36
	[]DZ-0611			.382	.189	.1940	31
	[]DZ-0613			.358	.184	.1910	28
	[]DZ-0615						24

Material	Part# Prefix	1/8"		5/32"		3/16"	
Aluminum	A []	756 N	1312N	1134 N	1734 N	1512 N	2735 N
Steel	S []	1134 N	1823 N	1645 N	2802 N	2246 N	3713 N
Brass	B []	1112 N	1912 N	1868 N	2757 N	2312 N	2602 N
Stainless Steel	F []	1300 N	2000 N	2446 N	3558 N	3558 N	5114 N
		Shear	Tension	Shear	Tension	Shear	Tension
TYPICAL PERFORMANCE SPECIFICATIONS							



Other Head Styles Available Upon Request

Inch Standard

"A"	Part Number	Grip Range	Length	"D"	"B"	Hole Size	Pcs Per Pod
1/8"	[] CZ-0405	.050 - .090	.170				65
	[] CZ-0406	.060 - .110	.172				64
	[] CZ-0407	.100 - .150	.212	.235	.035	.1315	52
	[] CZ-0408	.140 - .190	.252	.200	.023	.1285	44
	[] CZ-0410	.180 - .230	.292				38
	[] CZ-0411	.220 - .270	.332				33
5/32"	[] CZ-0505	.062 - .115	.204				59
	[] CZ-0506	.085 - .135	.224				54
	[] CZ-0507	.105 - .155	.244	.274	.040	.1592	49
	[] CZ-0509	.145 - .195	.284	.239	.028	.1562	42
	[] CZ-0511	.185 - .235	.324				36
	[] CZ-0513	.225 - .275	.364				32
3/16"		Available Upon Request					

Material	Part# Prefix	1/8"		5/32"		3/16"	
Aluminum	A []	700 N	1300 N	1100 N	1700 N	-	-
Steel	S []	900 N	1600 N	1600 N	2800 N	-	-
Brass	B []	Available Upon Request					
Stainless Steel	F []	Available Upon Request					
		Shear	Tension	Shear	Tension	Shear	Tension
TYPICAL PERFORMANCE SPECIFICATIONS							