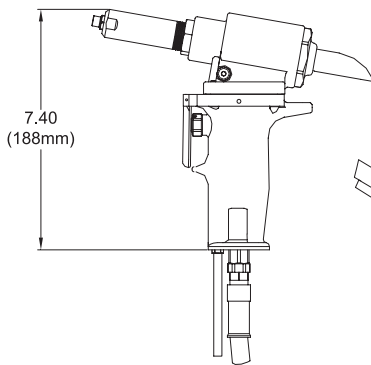
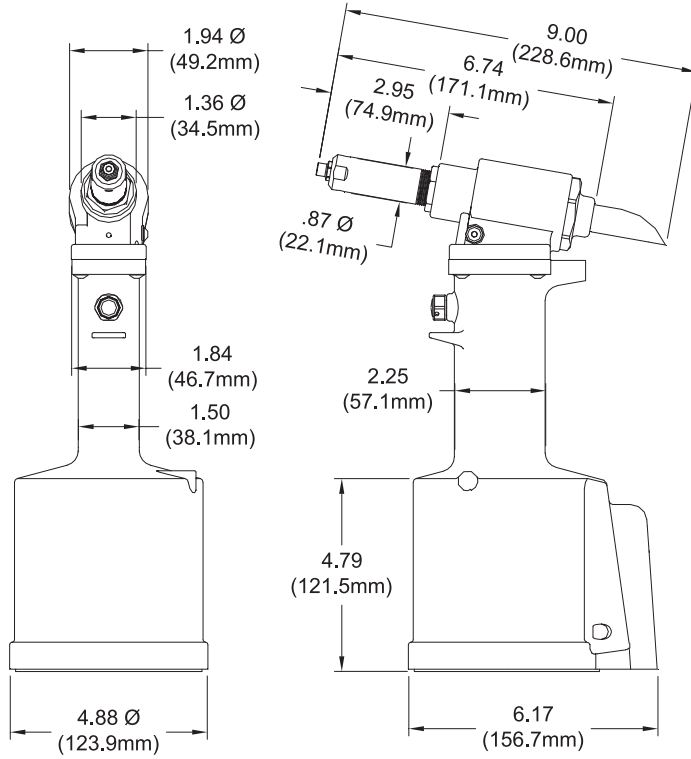


GBP743C SERIES INSTALLATION TOOLS

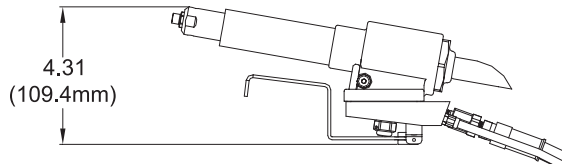
GBP743C

Stroke - .900"
 Hand held weight - 6.25 lbs.
 Entire tool weight - 6.25 lbs
 Pull load - 4,000



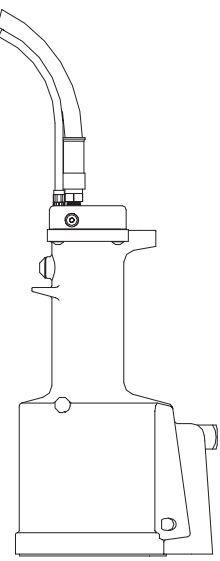
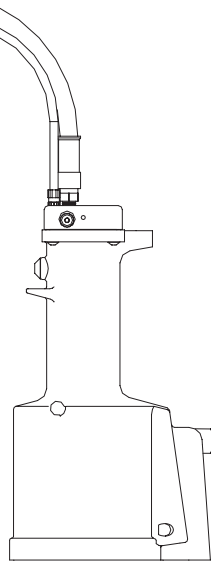
GBP743CSH

Stroke - .900"
 Hand held weight - 2.25 lbs.
 Entire tool weight - 7.25 lbs
 Pull load - 4,000



GBP743CSR

Stroke - .900"
 Hand held weight - 1.75 lbs.
 Entire tool weight - 6.75 lbs
 Pull load - 4,000



DESCRIPTION

The GBP743C series are pneumatic-hydraulic tools designed specifically for the efficient installation of a wide range of blind rivets. They can be operated in any position with one hand. They have a rated pull load of 4000 pounds with 90 psi air pressure at the air inlet.

The GBP743CSH and GBP743CSR riveters offer a unique "split" system providing the operator with an ergonomic tool with reduced hand held weight, as shown below.

The GBP743C series riveters operate on a wide range of air pressure, with 90 to 100 psi providing the maximum efficiency. At 90 lbs air pressure, the GBP743C series does not exceed 85 db (A) and consumes 3 cfm at 20 cycles a minute.

THE GBP743B SERIES RIVETERS ARE FURNISHED WITH NOSE ASSEMBLY 8Z-743-24 AND SPARE NOSE TIP 10206 TO CONVERT TO 6N-743-24 NOSE ASSEMBLY. ALL OTHER NOSE TIPS MUST BE ORDERED SEPARATELY.

GBP743C

Stroke - .900"
Hand held weight - 6.25 lbs.
Entire tool weight - 6.25 lbs
Pull load - 4,000

GBP743CSH

Stroke - .900"
Hand held weight - 2.25 lbs.
Entire tool weight - 7.25 lbs
Pull load - 4,000

GBP743CSR

Stroke - .900"
Hand held weight - 1.75 lbs.
Entire tool weight - 6.75 lbs
Pull load - 4,000

GBP743C SERIES SELECTION CHART

COUNTERSUNK AND PROTRUDING HEAD SELECTION CHART

RIVET	DIA.	NOSE ASSEMBLY	NOSE TIP 1
AVEX (1624 PROTRUDING HEAD) RIVET	3/16 1	AV6-743-24	10141
AVEX (1624 COUNTERSUNK HEAD) RIVET	3/16 1	6C-743-24	10208
BULB-TITE (STRUCTURAL) RIVET	1/4 1	BT08-743-24	10391
	9/32 1	BT09-743-24	10289
KLAMP TITE RIVET	3/16 2	6KT-703-18	----
	1/4 1	8KT-743-24	----
MACHINE SCREW RIVET	5MM 1	MS5M-743-24	10332
MONOBOLT RIVET	3/16 1	MB06-734-20	10210
	1/4 1	MB08-734-20	10213
OPEN END	3/32 2	3N-703-18	----
	1/8 2	4N-703-18	----
CLOSED END	5/32 2	5N-703-18	----
	3/16 1	6N-743-24	10204
MULTI-GRIP STRUCTURAL NAIL RIVET	1/4 1	8Z-743-24	10211
	3/16 1	6P-743-24	10167
PLASTIC SPLIT RIVET	1/4 1	8P-743-24	10166
	3/16 1	6T-743-24	10209
T RIVET	1/4 1	8T-743-24	10286
	1/4 1	8TLR-743-24	10246

SELECTION CHART FOR PROTRUDING HEAD ONLY

RIVET	DIA.	NOSE ASSEMBLY	NOSE TIP 1
MULTI-GRIP STRUCTURAL RIVET	3/16 2	PH6-734-20	----
	1/4 2	PH8-734-20	----

GAGE BILT & HUCK STYLE 352 (3/4" DIAMETER) LOCKBOLT AND BLIND RIVET NOSES MAY BE ATTACHED WITH 703352 ADAPTER.

THE GAGE BILT GBP743C SERIES TOOLS ARE APPROVED TO INSTALL THE ABOVE FASTENERS

- 1) YOU CAN CHANGE THE 743 NOSE ASSEMBLY (INCLUDED WITH TOOL) TO INSTALL OTHER FASTENERS BY PURCHASING NOSE TIP SHOWN AND USING APPROPRIATE FOLLOWER SHOWN.
- 2) NOSE ASSEMBLIES WITH A 703 or 734 DESIGNATION (3N-703-18) MUST BE ORDERED AS COMPLETE NOSE ASSEMBLY.

NOTE: THE LAST 2 DIGITS OF THE NOSE ASSEMBLY REPRESENTS THE LENGTH THE NOSE EXTENDS FROM THE TOOL I.E. -20 = 2.0 INCHES