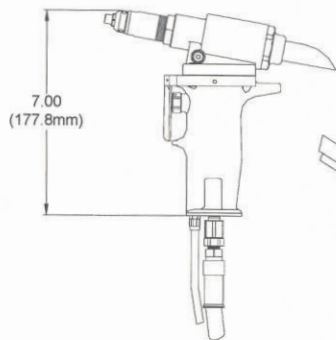
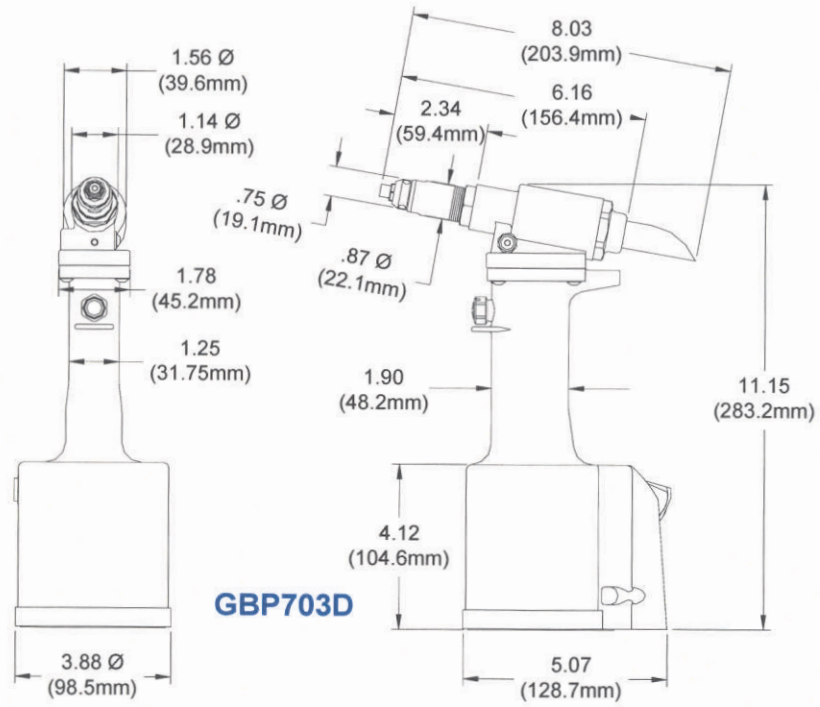
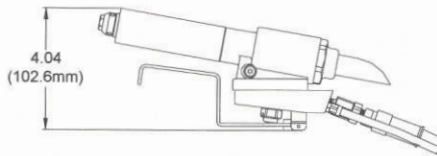
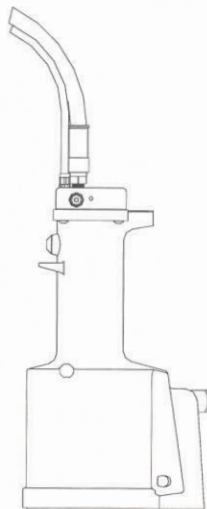


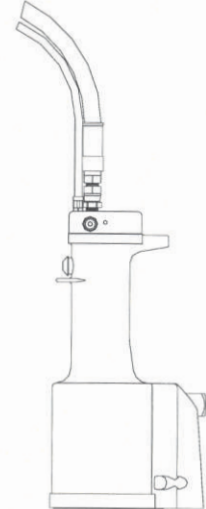
GBP703D SERIES INSTALLATION TOOLS



GBP703DSH



GBP703DSR



DESCRIPTION

The GBP703D series are pneumatic-hydraulic tools designed specifically for the efficient installation of a wide range of blind rivets. They can be operated in any position with one hand. They have a rated pull load of 2200 pounds with 90 psi air pressure at the air inlet.

The GBP703DSH and GBP703DSR riveters offer a unique "split" system providing the operator with an ergonomic tool with reduced hand held weight, as shown below.

The GBP703D series riveters operate on a wide range of air pressure, with 90 to 100 psi providing the maximum efficiency. At 90 lbs air pressure, the GBP703D series does not exceed 85 db (A) and consumes 3 cfm at 20 cycles a minute.

THE GBP703D SERIES RIVETERS ARE FURNISHED WITH NOSE ASSEMBLY 6N-703-18 AND SPARE NOSE TIP 10202 AND FOLLOWER 40307 TO CONVERT TO 4N-703-18 NOSE ASSEMBLY. ALL OTHER NOSE TIPS MUST BE ORDERED SEPARATELY.

GBP703D

Stroke - .780"
 Hand held weight - 4.50 lbs.
 Entire tool weight - 4.50 lbs
 Pull load - 2,200

GBP703DSH

Stroke - .950"
 Hand held weight - 2.00 lbs.
 Entire tool weight - 7.25 lbs
 Pull load - 2,200

GBP703DSR

Stroke - .780"
 Hand held weight - 1.50 lbs.
 Entire tool weight - 4.50 lbs
 Pull load - 2,200

GBP703D SERIES SELECTION CHART

RIVET	DIA.	NOSE ASSEMBLY	NOSE TIP 1	FOLLOWER
AVEX (1624 PROTRUDING HEAD)	3/16 2	AV6-743-24	----	----
AVEX (1624 COUNTERSUNK HEAD)	3/16 2	6C-743-24	----	----
KLA MPTITE RIVET	3/16 1	6KT-703-18	10263	40605
	1/4 2	8KT-743-24	----	----
MACHINE SCREW RIVET	5MM 1	MS5M-703-18	10332	40605
MONOBOLT RIVET	3/16 1	MB06-734-20	----	----
	1/4 2,3	MB08-734-20	----	----
NUTPLATE RIVET	3/32 1	4N-703-18	10202	40307
	1/8 1	5N-703-18	10203	40605
OPEN END CLOSED END MULTI-GRIP STRUCTURAL 4 NAIL RIVET	3/32 1	3N-703-18	10247	40307
	1/8 1	4N-703-18	10202	40307
	5/32 1	5N-703-18	10203	40605
	3/16 1	6N-703-18	10204	40605
PLASTIC SPLIT RIVET	1/4 2,3	8Z-743-24	----	----
	3/16 1	6P-703-18	10167	40605
T RIVET	1/4 2	8P-743-24	----	----
	3/16 1	6T-703-18	10209	40605
TLR RIVET	1/4 2,3	8T-743-24	----	----
	1/4 2	8TLR-743-24	----	----

SELECTION CHART FOR PROTRUDING HEAD ONLY

RIVET	DIA.	NOSE ASSEMBLY	NOSE TIP 1	FOLLOWER
MULTI-GRIP STRUCTURAL RIVET 4	3/16 2	PH6-734-20	----	----
	1/4 2,3	PH8-734-20	----	----

GAGE BILT & HUCK STYLE 352 (3/4" DIAMETER) LOCKBOLT AND
 BLIND RIVET NOSES MAY BE ATTACHED WITH 703352 ADAPTER.

- 1) YOU CAN CHANGE THE 703 NOSE ASSEMBLY (INCLUDED WITH TOOL) TO INSTALL OTHER FASTENERS BY PURCHASING NOSE TIP SHOWN AND USING APPROPRIATE FOLLOWER SHOWN.
- 2) NOSE ASSEMBLIES WITH A 743 DESIGNATION (8Z-743-24) MUST BE ORDERED AS COMPLETE NOSE ASSEMBLY.
- 3) ALUMINUM RIVET STEEL MANDREL ONLY (100 PSI REQUIRED FOR ALL 1/4" STEEL RIVETS).
- 4) 1/4" ALUMINUM ONLY.

NOTE: THE LAST 2 DIGITS OF THE NOSE ASSEMBLY REPRESENTS THE LENGTH THE NOSE EXTENDS FROM THE TOOL I.E. -20 = 2.0 INCHES