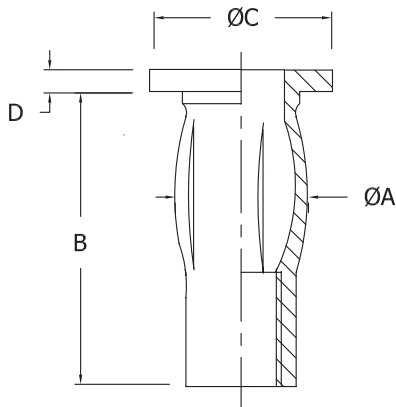
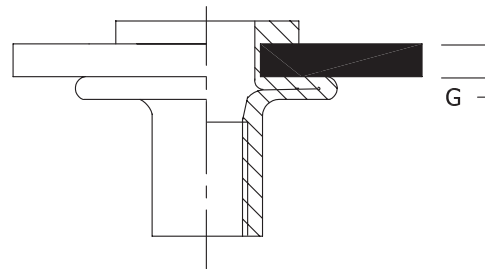


MATERIAL :Low Carbon Steel
FINISH : Zinc Yellow / Clear ZnC

BEFORE INSTALLATION



AFTER INSTALLATION



UNIFIED THREAD

Thread Size	Part #	A Max.	B ± 0.015	C ± 0.025	D ± 0.010	GRIP RANGE G	HOLE +0.006
1/4-20	420280	0.384	1.000	0.625	0.057	0.020-0.280	0.390
1/4-20	420500	0.384	1.235	0.625	0.057	0.280-0.500	0.390
5/16-18	518280	0.495	1.118	0.750	0.062	0.020-0.280	0.500
5/16-18	518500	0.495	1.348	0.750	0.062	0.280-0.500	0.500

METRIC THREAD

Thread Size	Part #	A Max.	B ± 0.38	C ± 0.25	D ± 0.08	GRIP RANGE G	HOLE ± 0.015
M6x0.1	M67.1	9.75	25.4	15.88	1.45	0.50-7.1	9.91
M6x0.1	M612.7	9.75	31.34	15.88	1.45	7.1-12.7	9.91
M8x1.25	M87.1	12.57	28.4	19.05	1.57	0.50-7.1	12.7
M8x1.25	M812.7	12.57	34.24	19.05	1.57	7.1-12.7	12.7

Product specification are in effect at the time of publishing