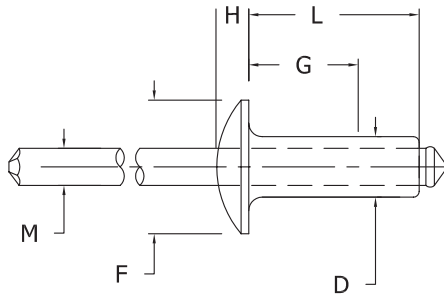


# DOME FLANGE



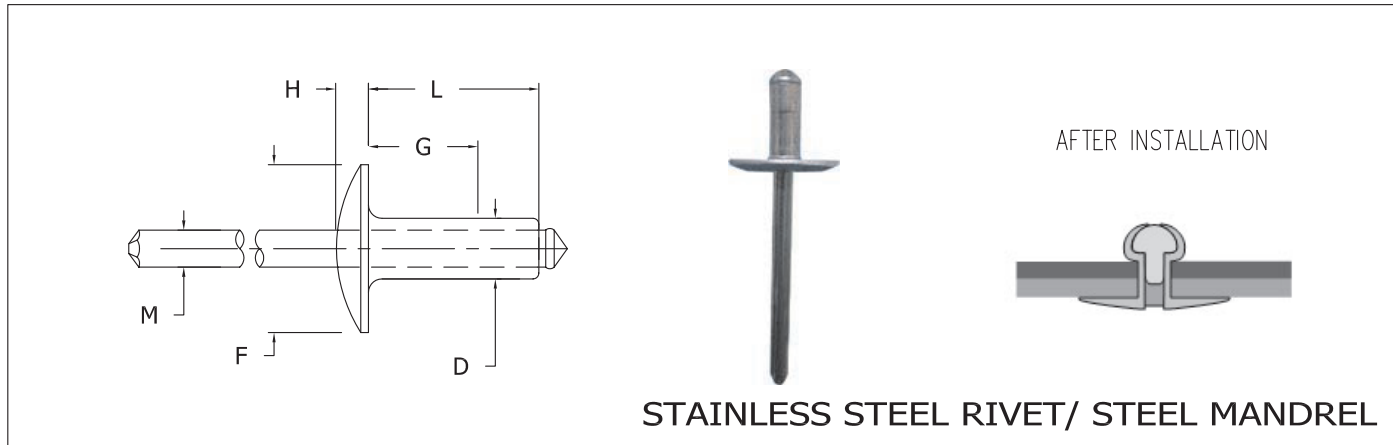
AFTER INSTALLATION



STAINLESS STEEL RIVET/STEEL MANDREL

Part Number	Hole Size And Drill Number	Mandrel Ø (M)	Flange Ø (F)	Max. Head Height (H)	Max. Barrel Length (L)	Rivet Size (D)	Grip Range (G)	Typical Strenght	
								Shear	Tensile
SCA 41	.129-.133 #30	.076	.250	.045	.212	1/8	.020 - .063	550 lbs	700 lbs
42					.275		.063 - .125		
43					.337		.126 - .187		
44					.400		.188 - .250		
45					.462		.251 - .312		
46					.525		.313 - .375		
48					.650		.376 - .500		
410					.775		.501 - .625		
SCA 52	.160-.164 #20	.095	.312	.055	.300	5/32	.063 - .125	900 lbs	1100 lbs
53					.362		.126 - .187		
54					.425		.188 - .250		
56					.550		.251 - .375		
58					.675		.376 - .500		
510					.800		.501 - .625		
SCA 62	.192-.196 #11	.114	.375	.060	.325	3/16	.063 - .125	1000 lbs	1375 lbs
63					.387		.126 - .187		
64					.450		.188 - .250		
66					.575		.251 - .375		
68					.700		.376 - .500		
610					.825		.501 - .625		

Product specification are in effect at the time of publishing



STAINLESS STEEL RIVET/ STEEL MANDREL

Part Number	Hole Size And Drill Number	Mandrel Ø (M)	Flange Ø (F)	Max. Head Height (H)	Max. Barrel Length (L)	Rivet Size (D)	Grip Range (G)	Typical Strength	
								Shear	Tensile
SCB 42	.129-.133 #30	.076	.375	.065	.275	1/8	.020 - .125	550 lbs	700 lbs
44					.400		.126 - .250		
SCB 64	.192-.196 #11	.114	.625	.092	.450	3/16	.126 - .250	1000 lbs	1375 lbs
66					.575		.251 - .375		
68					.700		.376 - .500		
610					.825		.500 - .625		
612					.950		.626 - .750		

Product specification are in effect at the time of publishing