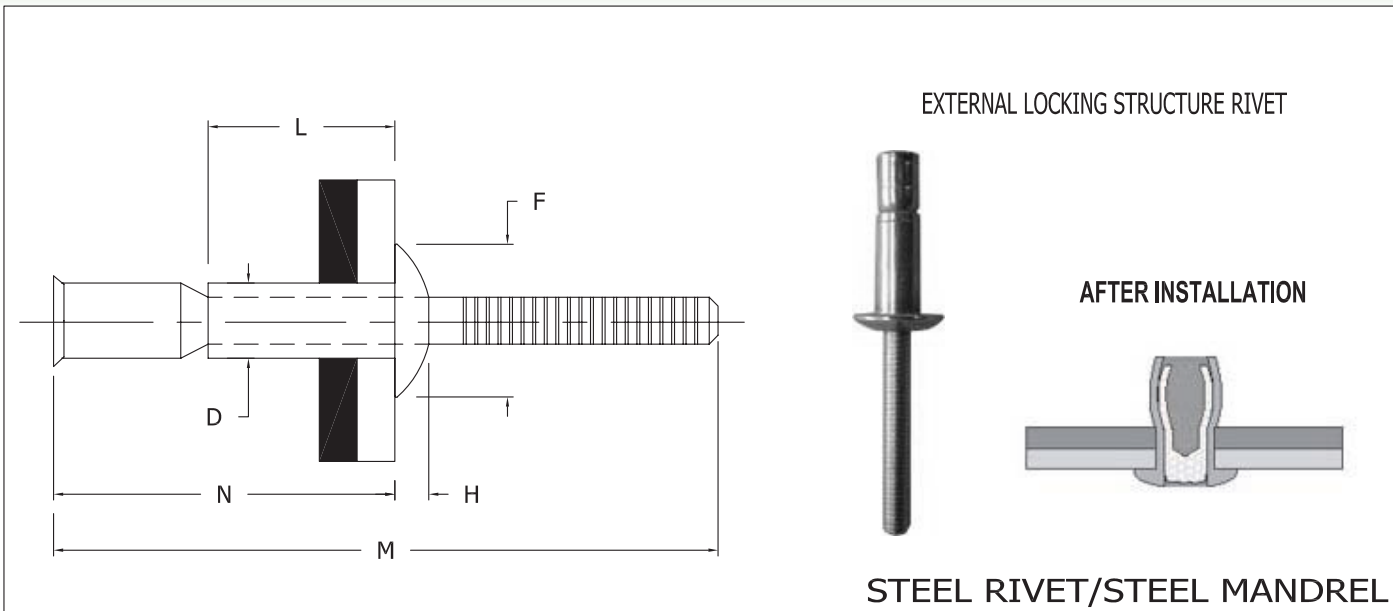


R- BOLT



TYPE	Part #	LENGTH L	GRIP RANGE G	BODY Ø D	HEAD HEIGHT H	HEAD Ø F	STRENGTH (Kgf)		Blind Side Protrusion N
							Shear	Tensile	
4.8 mm	SSA64MB	10.5	1.6-6.9	4.8	2.2	9.2	625	535	19
	SSA67MB	14.5	1.6-11.0						19
6.5 mm	SSA86MB	14.2	2.0-9.5	6.5	2.8	13.0	1250	1000	25
	SSA810MBS	14.2	8.9-15.9						31
	SSA810MB	14.2	2.0-15.9						36

ALUMINIUM RIVET/ALUMINIUM MANDREL

TYPE	Part #	LENGTH L	GRIP RANGE G	BODY Ø D	HEAD HEIGHT E	HEAD Ø H	STRENGTH (Kgf)		Blind Side Protrusion N
							Shear	Tensile	
4.8 mm	SAA64MB	10.5	1.6-6.9	4.8	2.2	9.2	293	263	19
	SAA67MB	14.5	1.6-11.0						19
6.5 mm	SAA86MB	14.2	2.0-9.5	6.5	2.8	13.0	590	450	25
	SAA810MB	14.2	2.0-15.9						36

STAINLESS RIVET/STAINLESS MANDREL

TYPE	Part #	LENGTH L	GRIP RANGE G	BODY Ø D	HEAD HEIGHT E	HEAD Ø H	STRENGTH (Kgf)		Blind Side Protrusion N
							Shear	Tensile	
4.8 mm	SCCA64MB	10.5	1.6-6.9	4.8	2.2	9.2	625	500	19
	SCCA67MB	14.5	1.6-11.0						19
6.5 mm	SCCA86MB	14.2	2.0-9.5	6.5	2.8	13.0	1250	950	25
	SCCA810MB	14.2	2.0-15.9						36

Product specification are in effect at the time of publishing