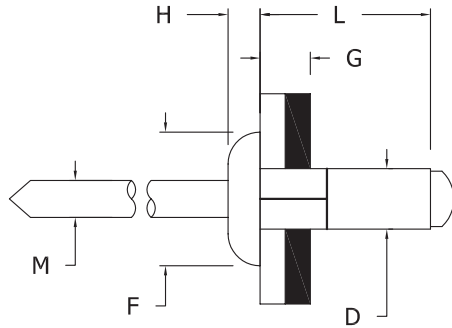


MULTIPLE GRIP RIVETS

MULTIPLE GRIP RIVETS



AFTER INSTALLATION



RIVET MATERIAL : ALUMINIUM 5052

MANDREL MATERIAL : STEEL

Head Type	D	DRILL (M)	L	PART #	GRIP RANGE	GRIP RANGE	F	H	SHEAR	TENSILE
	mm inch	mm inch	mm inch		mm	inch	mm inch	mm inch		
DOME	3.2 1/8	3.3 #30	8.0 11.1	SFA43MG	0.8-4.8	.031-.187	6.40 .252	0.95 .037	75 165	104 230
				SFA45MG	4.0-7.9	.156-.312				
	4.0 5/32	4.1 #20	9.5 11.1 12.7 16.9	SFA54MG	1.2-6.4	.046-.250	7.90 .311	1.20 .047	116 255	170 375
				SFA55MG	3.2-7.9	.125-.312				
				SFA56MG	4.0-9.5	.156-.375				
				SFA58MG	6.4-12.7	.250-.500				
	4.8 3/16	4.9 #11	10.3 15.1 16.9 24.8	SFA64MG	1.6-6.4	.062-.250	9.80 .386	1.45 .057	159 350	240 530
				SFA66MG	4.8-11.1	.187-.437				
				SFA68MG	6.4-12.7	.250-.500				
SFA612MG				12.7-19.8	.500-.781					
EXTRA LARGE	3.2 1/8	3.3 #30	8.0 11.1	SFB43MG	0.8-4.8	.031-.187	9.50 .374	1.20 .047	75 165	104 230
				SFB45MG	4.0-7.9	.156-.312				
	4.0 5/32	4.1 #20	12.7 16.9	SFB56MG	4.0-9.5	.156-.375	12.0 .472	1.50 .059	116 255	170 375
				SFB58MG	6.4-12.7	.250-.500				
	4.8 3/16	4.9 #11	10.3 16.9 24.8	SFB64MG	1.6-6.4	.062-.250	15.85 .624	1.75 .069	159 350	240 530
				SFB68MG	6.4-12.7	.250-.500				
120° CSK	3.2 1/8	3.3 #30	9.7 11.1 12.7	SFC44MG	2.4-6.4	.093-.250	5.35 .210	.850 .033	70 155	93 205
				SFC45MG	4.0-7.9	.156-.312				
				SFC46MG	4.0-9.5	.156-.375				
	4.0 5/32	4.1 #20	9.7 11.3 12.7	SFC54MG	1.2-6.4	.046-.250	6.30 .248	.900 .035	102 225	136 300
				SFC55MG	2.8-7.9	.109-.312				
				SFC56MG	4.3-9.5	.171-.375				
	4.8 3/16	4.9 #11	12.1 16.9	SFC65MG	3.2-7.9	.125-.312	8.80 .347	1.35 .053	159 350	240 530
				SFC68MG	6.4-12.7	.250-.500				

ALSO AVAILABLE ALUMINUM RIVET WITH ALUMINUM MANDREL

Product specification are in effect at the time of publishing

MULTIPLE GRIP RIVETS

General Drawing

RIVET MATERIAL : STEEL **MANDREL MATERIAL : STEEL**

Head Type	D	DRILL (M)	L	PART #	GRIP RANGE	GRIP RANGE	F	H	SHEAR	TENSILE
	mm inch	mm inch	mm inch		mm	inch	mm inch	mm inch		
DOME	3.2	3.3	9.0	SSA43MG	1.1-4.0	.043-.157	7.20	0.85	160	175
	1/8	#30	11.1	SSA45MG	1.0-9.0	.039-.354	.283	.033	353	385
	4.0	4.1	11.0	SSA53MG	1.4-5.0	.055-.197	8.10	1.20	200	240
	5/32	#20	14.0	SSA55MG	2.0-9.0	.055-.315	.319	.047	440	530
	4.8	4.9	11.0	SSA64MG	1.0-6.0	.039-.236	9.80	1.45	450	390
			14.0	SSA66MG	1.0-9.0	.039-.354				
	3/16	#11	17.0	SSA68MG	3.0-12.0	.118-.472	.386	.057	992	860
EXTRA LARGE	4.8	4.9	11.0	SSB64MG	1.0-6.0	.039-.236	15.85	1.75	450	390
			14.0	SSB66MG	1.0-9.0	.039-.354				
	3/16	#11	17.0	SSB68MG	3.0-12.0	.118-.472	.624	.069	992	860

STAINLESS STEEL MULTIPLE GRIP RIVETS

RIVET MATERIAL : 300 SERIES ST. ST. **MANDREL MATERIAL : 300 SERIES ST. ST.**

Head Type	D	DRILL (M)	L	PART #	GRIP RANGE	GRIP RANGE	F	H	SHEAR	TENSILE
	mm inch	mm inch	mm inch		mm	inch	mm inch	mm inch		
DOME	3.2 1/8	3.3 #30	9.3	SCCA43MG	0.5-4.8	.020-.189	6.35 .250	1.05 .041	420	470
			10.9	SCCA44MG	1.6-6.4	.063-.252				
			12.4	SCCA45MG	3.2-7.9	.126-.311				
			15.6	SCCA47MG	6.4-11.1	.252-.437				
	4.0 5/32	4.1 #20	11.4	SCCA54MG	1.2-6.4	.047-.252	7.95 .312	1.30 .051	650	810
			12.9	SCCA55MG	3.2-7.9	.126-.311				
			14.5	SCCA56MG	4.8-9.5	.189-.374				
			17.7	SCCA58MG	7.9-12.7	.311-.500				
	4.8 3/16	4.9 #11	11.9	SCCA64MG	1.2-6.4	.047-.252	9.50 .375	1.55 .061	950	1050
			15.0	SCCA66MG	3.2-9.5	.126-.374				
18.2			SCCA68MG	6.4-12.7	.252-.500					
21.4			SCCA610MG	9.5-15.9	.374-.626					
		24.6	SCCA612MG	12.7-19.1	.500-.752					

Product specification are in effect at the time of publishing